



**Henan DASION Machinery CO.,Ltd**

**E-mail:**sales4@cndasion.com

**Address:** 1509,pinganbaoxian,jingsanroad,jinshui street,zhengzhou,china

## **JZC Portable electric concrete mixers,portable concrete mixer**

JZC Portable electric concrete mixers are non-skip hoist type, normally suitable a single mixer in country areas, urban area, which consist of elevating hopper or upper discharge hopper, winch, emergency stop button etc.

Compared with traditional portable concrete mixers, JZC portable electrical concrete mixer can used for medium or small scale building, communities building engineering, high strength concrete engineering. Mixing drum designed with gated paddles which can improve the stirring resistance and provide high strength concrete.

### **JZC portable electrical concrete mixers images**



### **JZC portable electrical concrete mixers parts and application**

- ◆ Upper discharge hopper pours concrete cart or ground floor or required floor
- ◆ Elevating hopper can loading the concrete and elevating up and down by winch
- ◆ Mixing drum with gated paddles can uniformly rotate mixture materials
- ◆ Stand base supports the engine or whole electric concrete mixer
- ◆ Up-down driving device is winch Which can be divided into mobile winch type and stationary type working with tower hoist
- ◆ Elevating frame supports the hopper and fixed the winch parts etc.
- ◆ Emergency stop button can use during the accident or avoid the accidents
- ◆ Stand assembly clip connected the body parts with stand base
- ◆ Self-loading and on wheel of easy dragging

### **JZC portable concrete mixer or electric concrete mixers features**

- ◆ It is easy operation, the feeding system works with small pulley set

**concrete mixer**



**batching plants**



**concrete trucks**



**trailer pump**



**gunite machine**



**WEB:**www.concretemixerschina.com

**E-mail:**sales4@cndasion.com



**Henan DASON Machinery CO.,Ltd**

**E-mail:sales4@cndasion.com**

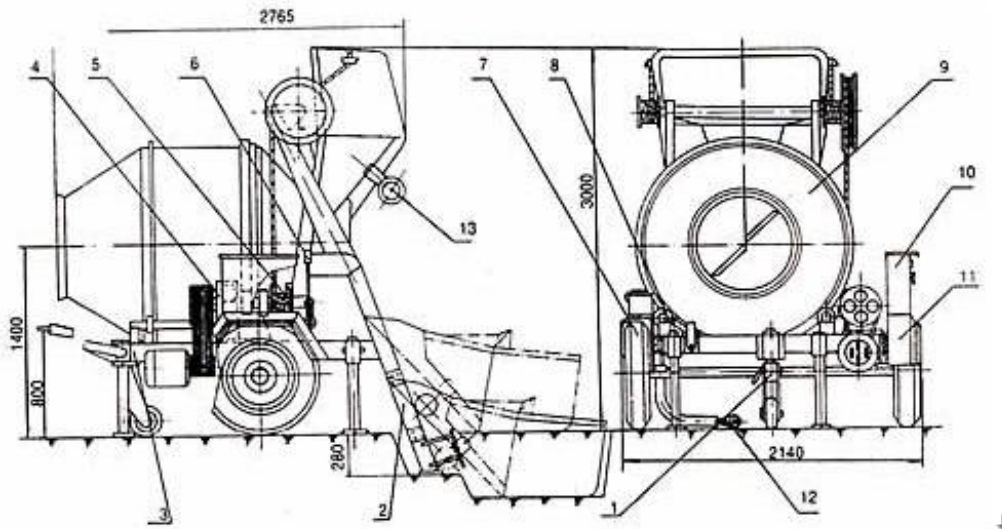
**Address:1509,pinganbaoxian,jingsanroad,jinshui street,zhengzhou,china**

- ◆ The rated capacity of portable concrete mixer is designed in accordance with mixing drum
- ◆ It has small volume, easy to move in and out at job site
- ◆ Low maintenance, easy to clean
- ◆ Adopt electric motor for power supply
- ◆ Low noise, anti-pollution resistance
- ◆ Can be designed with 4 wheels

#### **Safety notes for JZC portable electric concrete mixer**

- ◆ Observing work area conditions are important, the cement concrete mixer should be placed in clean, smooth or clear of debris and obstructions. And the cement mixer should be on a flat and level surface to prevent tipping, rolling or falling, and do not work in wet locations.
- ◆ Dress properly includes engineers wears and personal protective equipment, and cement mixer should be installed in accordance with the standards or specifications.
- ◆ Check for wear and damaged parts before concrete mixers working
- ◆ Do not overload mixer, it is easy to destroy the machine or equipment

#### **JZC portable concrete mixers main drawings**



- 1.front support wheel    2. Upper discharge frame    3.chassis    4. Gearbox system  
5.clutch    6.operating lever    7.walking wheels    8. Roller    9. Mixing drum  
10. Apparatus Control box    11. Protection wear    12. Watering system    13.feeding system

**concrete mixer**



**batching plants**



**concrete trucks**



**trailer pump**



**gunite machine**



**WEB:www.concretemixerschina.com**

**E-mail:sales4@cndasion.com**



**Henan DASION Machinery CO.,Ltd**

E-mail:sales4@cndasion.com

Address:1509,pinganbaoxian,jingsanroad,jinshui street,zhengzhou,china

### JZC portable electrical concrete mixers main specifications

Model	JZC250	JZC350	JZC500	JZC750	JZC1000
Discharging capacity,L	250	350	500	750	1000
Charging Capacity,L	320	560	800	1200	1500
Capacity,m <sup>3</sup> /h	6-8	10-14	18-20	20-22	30-35
Drum rotating-speed,r/min	17	14	13	13	10
Max. aggregate size,mm	60	60	60-80	60-80	80-100
Water feeding precision	≤2%	≤2%	≤2%	≤2%	≤2%
Mixing motor,kw	4	5.5	11	15	18.5
Hoisting motor,kw	4	4.5	5.5	7.5	13
Water pump motor,kw	0.55	0.55	0.75	1.1	1.5
Tyre spec.	6.50-16	6.50-16	7.50-16	/	/
Max. dragging speed,km/h	20	20	20	/	/
Dimension (L x W x H ),mm	2260x1990x2750	2766x2140x3000	3116x2200x5460	3226x2056x4060	4000x2350x4350
Total weight,kg	1300	1950	3100	4200	4500

concrete mixer



batching plants



concrete trucks



trailer pump



gunite machine



WEB:www.concretemixerschina.com

E-mail:sales4@cndasion.com