



**Henan DASON Machinery CO.,Ltd**

**E-mail:**sales4@cndasion.com

**Address:**1509,pinganbaoxian,jingsanroad,jinshui street,zhengzhou,china

## **JZM reversible concrete mixer**

**Keywords:**reversible concrete mixer,concrete mixers, non-tilting drum mixer

JZM reversible concrete mixer is non-tilting drum mixer or reversible drum type concrete mixer suitable for built for light, medium, and heavy-duty jobs with durable construction in accordance with 6, 8, 11 and 12 cubic foot drum sizes. And this mixer is Non-skip hoist type cement mixer, designed similarly to JZC portable electric concrete mixers.

### **JZM reversible concrete mixers images**



### **Some requirements of JZM non-tilting drum mixer**

- ◆ Produce high mechanical properties, high strength and durability concrete materials
- ◆ Easily manoeuvrable,(complex) compact design
- ◆ Oversized steel rotating paddles is designed inside the drum, completely mixing and long lasting durability
- ◆ For ensuring the mixer quality, the concrete mixer manufacturers should test the samples, and the manufacturers, suppliers or exporters should provide one-three years warranty for cement mixer
- ◆ Reversible concrete mixer runs trouble-free for years
- ◆ Heavy duty chassis designed to withstand though site conditions
- ◆ Hot dip galvanized steel provides long service life, deluxe performance and low cost
- ◆ Before shipping, all concrete mixers should be stored in the requirements or specifications

### **The characteristics of JZM reversible concrete mixers**

1. A reinforce front post adds strength to the wider axle design for more comfortable towing
2. Working with Road construction machinery and civil construction machinery
3. Rotating parts include rotating mixing drum, chain drivers, belts and gearbox,Mixing paddles etc.

**concrete mixer**



**batching plants**



**concrete trucks**



**trailer pump**



**gunite machine**



**WEB:**www.concretemixerschina.com

**E-mail:**sales4@cndasion.com



**Henan DASION Machinery CO.,Ltd**

**E-mail:sales4@cndasion.com**

**Address: 1509,pinganbaoxian,jingsanroad,jinshui street,zhengzhou,china**

4. Robust construction for reliable operation
5. Operator control can be working with computers or hand operating
6. Can be designed with tower hoist

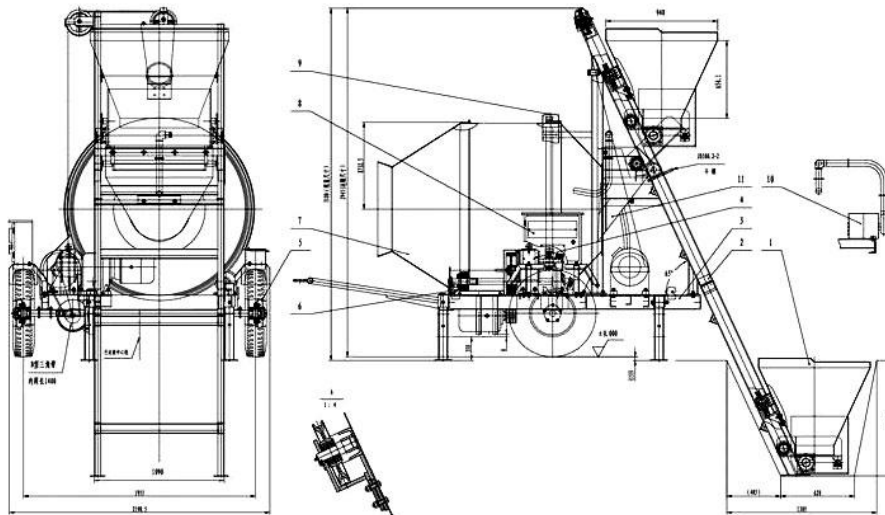
#### **The advantages of JZM non-tilting drum mixer**

- ◆ Easy-to-clean design, and simple maintenance
- ◆ Light weight, easy to move
- ◆ Mix design with gated drum, high mixing efficiency
- ◆ Strong, durable, easy-to-clean chassis designed for demanding on site application
- ◆ High production, this mixer can mix 200000 drums, Low investment cost of this mixer

Some phenomena is that the JZM reversible concrete mixers should be maintenance or required Before machine working, the engineers inspect and observe Broken parts or damaged parts The concrete machine has abnormal noise or vibration occurs

And during the concrete machine working, operators can turn off the engine and disconnect the spark plug wire to prevent accidental starting. The JZM reversible concrete mixers or non-tilting drum mixer should be self-falling, discharging with the double wimble rotating reversely, mixes the material by rotating positively and discharges by rotating reversely.

JZM reversible concrete mixers with hoist drawings



**concrete mixer**

**batching plants**

**concrete trucks**

**trailer pump**

**gunite machine**



**WEB:www.concretemixerschina.com**

**E-mail:sales4@cndasion.com**



**Henan DASION Machinery CO.,Ltd**

**E-mail:**sales4@cndasion.com

**Address:**1509,pinganbaoxian,jingsanroad,jinshui street,zhengzhou,china

**JZM reversible concrete mixer or non-tilting drum mixer technical data**

Model	JZM350	JZM500	JZM750	JZM1000
Discharging volume	350L	500L	750L	1000L
Charging volume	560L	800L	1200L	1500L
Capacity	13m <sup>3</sup> /h	18-20m <sup>3</sup> /h	30-35m <sup>3</sup> /h	30-35m <sup>3</sup> /h
Drum rotating-speed	15r/min	15r/min	12.26r/min	10r/min
Max. aggregate size	60mm	60mm	80mm	100mm
Water feeding precision	Error ≤2%	Error ≤2%	Error ≤2%	Error ≤2%
Mixing motor	5.5kw	11kw	15kw	18.5kw
Hoisting motor	4.5kw	4.5kw	7.5kw	13kw
Water pump motor	0.75kw	1.1kw	1.1kw	1.5kw
Max. dragging speed	20km/h	20km/h	20km/h	20km/h
Total weight	1970kg	4100kg	5500kg	4500kg
Dimension (L x W x H )	3800×2050×2690	4216×2350×5050	4726×2300×6060	4000×2350×4350mm

**concrete mixer**



**batching plants**



**concrete trucks**



**trailer pump**



**gunite machine**



**WEB:**www.concretemixerschina.com

**E-mail:**sales4@cndasion.com