



**Henan DASION Machinery CO.,Ltd**

**E-mail:**sales4@cndasion.com

**Address:**1509,pinganbaoxian,jingsanroad,jinshui street,zhengzhou,china

## Shotcrete Guniting machine

**Keywords:** shotcrete guniting machine,shotcrete machine,guniting machine

Shotcrete guniting machine also known as shotcrete machine or guniting machine used for concrete repair, refractory spraying, rockscaping, slope stabilization, tunnels and mines, pools and spas, channels, piers, sea walls, sewers, retaining & fire, ditches, concrete pipe, sand & gravel pipe and dams & reservoirs etc.

Shotcrete guniting machine has dry-mix process and wet-mix process and which is one of construction equipment, DASION produces PZ series shotcrete machine used for dry-mix or wet-mix concrete, HPS wet guniting machine used for underground construction projects or on ground construction projects. There are some different features of two types machine

1. Dry-mix process: Instantaneous control over mixing water and consistency of mix to meet variable field conditions; wet-mix process: mixing water is controlled at the delivery equipment and can be accurately measured, they all used with concrete mixer or concrete batching plant.
2. Dry-mix process: better suited for placing mixes containing lightweight aggregates, refractory materials and shotcrete requiring early strength properties; wet-mix process: better assurance that the mixing water is thoroughly mixed with other ingredients
3. Dry-mix process: Capable of being transported longer distances; wet-mix process: Less dusting and cement loss accompanies the gunning operation
4. Dry-mix process: Start and stop placement characteristics are better with minimal waste and greater placement flexibility; wet-mix process: Normally has less rebound resulting in less material waste
5. Dry-mix process: Capable of higher strengths; wet-mix process: Capable of greater production

PZ/HPS Shotcrete guniting machine images



concrete mixer

batching plants

concrete trucks

trailer pump

guniting machine



**WEB:**www.concretemixerschina.com

**E-mail:**sales4@cndasion.com

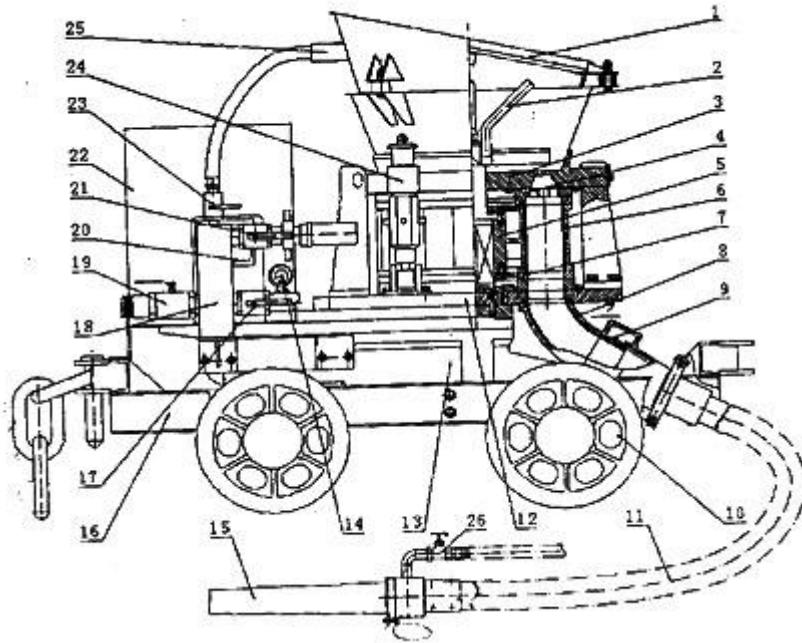


**Henan DASON Machinery CO.,Ltd**

**E-mail:sales4@cndasion.com**

**Address:1509,pinganbaoxian,jingsanroad,jinshui street,zhengzhou,china**

PZ Shotcrete gunite machine drawings



1. Aggregate hopper 2. Dial feeder 3.hopper 4.rubber boards 5.rotor body 6.material chamber  
7.rotor liner 8.discharge elbow 9.cyclone 10.rail wheels 11.hose 12.panel 13.gear box  
14. Pressure gauge 15. Nozzle 16. Rack 17. The gas cut-off valve 18. Points scrubber  
19. The main gas cut-off valve 20. Motor 21.on the gas cut-off valve 22. Guard 23. Vibrator gas  
cut-off 24. Clamping device 25. Vibrator 26. The clamping device

Shotcrete gunite machine/ Shotcrete machine features

- Oversized water separator
- Optional dustsuppression system
- Continuous feed hopper with bag breaker
- Material Agitator
- Screen and direct drive 5 hp, 8 AM, air motor
- low-rebound shotcrete processing by means of even delivery flow
- dust-free machine operation due to fully contained system.

Shotcrete gunite machine mainly can install with mobile concrete batch plant used for construction projects, such as gunite concrete materials for roads, walls with high efficiency.

**concrete mixer**



**batching plants**



**concrete trucks**



**trailer pump**



**gunite machine**



**WEB:www.concretemixerschina.com**

**E-mail:sales4@cndasion.com**

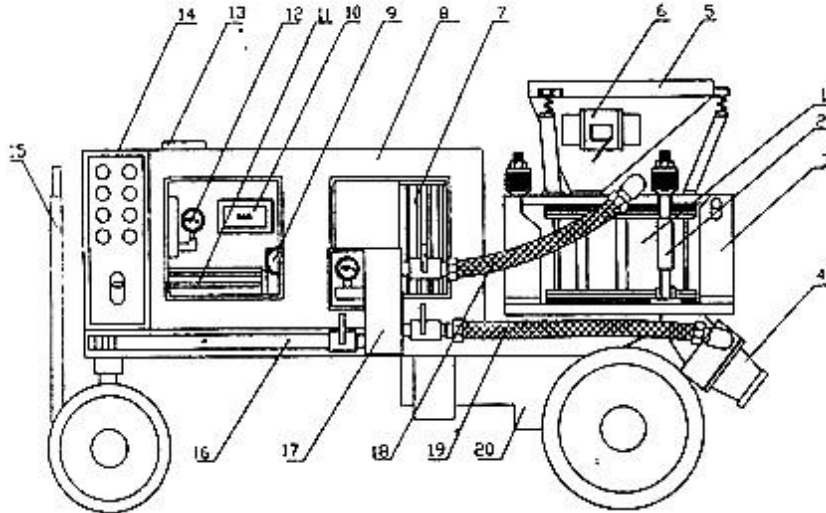


# Henan Dasion Machinery CO.,Ltd

E-mail:sales4@cndasion.com

Address:1509,pinganbaoxian,jingsanroad,jinshui street,zhengzhou,china

## HPS gunite machine structures



- 1. Rotor body assembly
- 2. Compression structure
- 3. Limit block
- 4. Cyclone
- 5. Hopper
- 6. Vibration motor
- 7. Main motor
- 8. Housing
- 9. Hand wheel speed
- 10. Speed display
- 11. Transmission
- 12. Pressure gauge
- 13. Add quick setting agent pump
- 14. Electronic control box
- 15. Steering
- 16. The total inlet tube
- 17. Sub-style device
- 18. Upwind road
- 19. Leeward road
- 20. Reducer

## Main parts of shotcrete machine



DASION also produce this parts for your machine, we can manufactured them according to your drawings, model or international specifications, welcome to inquiry other concrete machine, such as concrete mixer, concrete truck mixer or concrete pumps.

concrete mixer

batching plants

concrete trucks

trailer pump

gunite machine



WEB:www.concretemixerschina.com

E-mail:sales4@cndasion.com



## Henan DASION Machinery CO.,Ltd

E-mail:sales4@cndasion.com

Address:1509,pinganbaoxian,jingsanroad,jinshui street,zhengzhou,china

### PZ shotcrete gunite machine technical specifications

| Type                       | PZ-5     | PZ-5B(anti-explosion) | PZ-7    | PZ-7B | PZ-9    |
|----------------------------|----------|-----------------------|---------|-------|---------|
| Output,m3/h                | 5.5      | 5.5                   | 7       | 7-8   | 9       |
| Max.convey dist,m          | 200      | 200                   | ≤200    | 240   | 150     |
| Water cement ratio         | <0.4     | <0.4                  | <0.4    | 0.35  | ≤0.35   |
| Aggregate size,mm          | 15       | 15                    | 20      | 20    | 20      |
| Pipe diameter,mm           | Φ50      | Φ50                   | Φ50     | Φ63   | Φ64     |
| Operating air pressure,MPa | 0.2-0.6  | 0.2-0.6               | 0.4-0.6 | 0.4   | 0.2-0.6 |
| Air consumption,m3/min     | 7-8      | 7-8                   | 8-10    | 12    | 9-10    |
| Motor power,KW(HP)         | 5.5(7.5) | 5.5(7.5)              | 7.5     | 9     | 7.5     |

### HPS shotcrete gunite machine technical specifications

| Type                        | HSP-5   | HSP-6   | HSP-7   | HSP-9   |
|-----------------------------|---------|---------|---------|---------|
| productivity,m3/h           | 5       | 6       | 7       | 9       |
| Max.transmission distance,m | 30      | 30      | 30      | 30      |
| Aggregate size,mm           | Φ15     | Φ15     | Φ15     | Φ15     |
| Working air pressure,MPa    | 0.3-0.6 | 0.4-0.6 | 0.4-0.6 | 0.2-0.6 |
| Air consumption,m3/min      | 10-15   | 10-15   | 10-15   | 10-15   |
| Rotor diameter,mm           | 438     | 480     | 505     | 455     |
| Motor power,KW              | 5.5     | 6.5     | 7.5     | 6.5     |
| Voltage,V                   | 380     | 380     | 380     | 380     |
| Weight,kg                   | 800     | 950     | 1050    | 1150    |

concrete mixer



batching plants



concrete trucks



trailer pump



gunite machine



WEB:www.concretemixerschina.com

E-mail:sales4@cndasion.com