



**Henan DASION Machinery CO.,Ltd**

**E-mail:**sales4@cndasion.com

**Address:**1509,pinganbaoxian,jingsanroad,jinshui street,zhengzhou,china

## **YHZS mobile concrete batching plant**

**Keywords: portable concrete mixing plants, mobile concrete batching plant**

YHZS mobile concrete batching plant is made up of concrete mixer, cement batchers, aggregator batchers, conveyors, radial stackers, aggregate bins, cement bins, heaters, chillers, cement silos, batch plant controls, and dust collectors (to minimize environmental pollution). And also known as portable concrete mixing plants.

### **The features of mobile concrete batching plant**

- ◆ High quality making concrete, easy move portable concrete batch plants
- ◆ Mobile batch plants comes with proven reversible drum type concrete mixer or twin shaft mixer or planetary mixer which is highly appreciated by the industry
- ◆ Capacity ranging 25m<sup>3</sup>,35m<sup>3</sup>,50m<sup>3</sup>,60m<sup>3</sup>,75m<sup>3</sup>
- ◆ Discharging height is designed 3800mm in accordance with technical specifications
- ◆ Mobile concrete plants are one of mixing equipment Used for precast & paving plants & parts
- ◆ Higher production in short time, and the concrete plants can be used at multiple construction sites
- ◆ Silo systems is designed in different size, including sand silos, cement silos and product silos
- ◆ Hydraulic erect models available wet portable concrete mixing plants
- ◆ Wide variety of sizes in accordance with customers' requirements

### **YHZS portable concrete mixing plants images**



**concrete mixer**



**batching plants**



**concrete trucks**



**trailer pump**



**gunite machine**



**WEB:**[www.concretemixerschina.com](http://www.concretemixerschina.com)

**E-mail:**sales4@cndasion.com



**Henan DASION Machinery CO.,Ltd**

E-mail:sales4@cndasion.com

Address:1509,pinganbaoxian,jingsanroad,jinshui street,zhengzhou,china

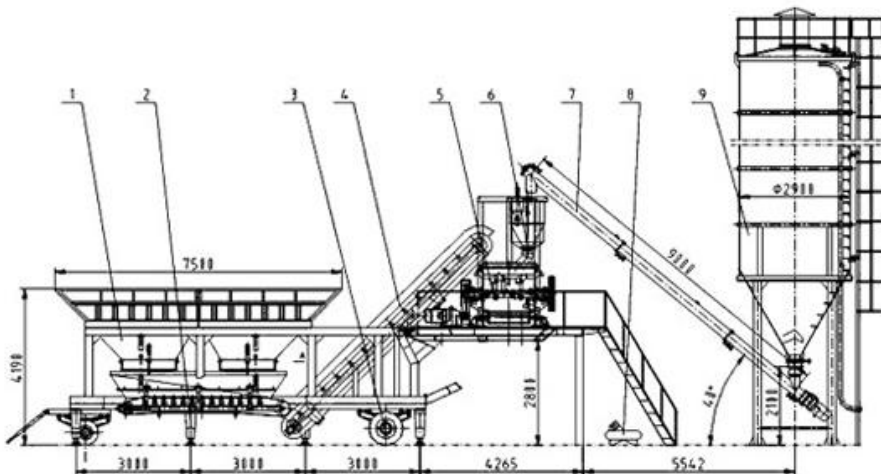
### YHZS mobile concrete batching plant application

- ◆ High quality portable concrete plants can help contractors improve profitability
- ◆ Suitable for hollow core slabs,precast RCC pipe, solid & wall panel
- ◆ Used for Temporary installation, special projects or permanent facilities
- ◆ Auxiliary concrete or cement storage: storing and conveying materials
- ◆ Hydraulic erect mobile batch plant makes various kinds of concrete including quaking concrete, hard concrete suitable for large or medium scale Construction sector including building works, road, bridge works and precast concrete plants etc.
- ◆ Mobile plant with insulation to prevent low temperature

### YHZS portable concrete mixing plants characteristics

- ◆ The output for concrete batching plant is depend upon the feed fraction, Feed Moisture, etc.
- ◆ A double dose and batching plant for the production of ready-mix concrete with two load mixed points
- ◆ Can be equipped with two planetary mixers or twin shaft mixers
- ◆ Cleaning system and recycle system to protect environments
- ◆ Dust collection, noise reduction, and a recycling system for waste water and return concrete, and has given the plant a considerably reduced ecological impact
- ◆ A horizontal concrete mixing with two load points
- ◆ To preserve space, skip is used for feeding the mixers. The aggregate reception is composed of four fully galvanized hoppers of 25 m<sup>3</sup> , which may be filled directly from the truck through an easy access ramp.

### YHZS60 mobile concrete batching plant drawings



1. Batcher
2. Hydraulic support legs
3. Wheel system
4. Groove type conveyor belt
5. JS1000 Mixer
6. Weighing system
7. Screw Conveyor
8. Gas line system
9. Silos

concrete mixer

batching plants

concrete trucks

trailer pump

gunite machine



WEB:www.concretemixerschina.com

E-mail:sales4@cndasion.com



**Henan DASION Machinery CO.,Ltd**

**E-mail:**sales4@cndasion.com

**Address:** 1509,pinganbaoxian,jingsanroad,jinshui street,zhengzhou,china

### YHZS mobile concrete batching plant technical specification

Model	YHZS25	YHZS35	YHZS50	YHZS60	YHZS75
Capacity	25m <sup>3</sup> /h	35m <sup>3</sup> /h	50m <sup>3</sup> /h	60m <sup>3</sup> /h	75m <sup>3</sup> /h
Max. dragging speed:	40km/h				
Discharging height	3800mm				
After-sale service	Erection & commissioning, operator training				
Warranty	12 months after erection				
Concrete mixer	JS500	JS750	JS1000	YJS1000	YJS1500
Aggregate batching machine	PLD800	PLD1200	PLD1600	PLD2400	PLD2400
Aggregate feeding to mixer by	Skirt-side Belt conveyor			Special Belt conveyor	
Measurement precision	±2%	±2%	±2%	±2%	±2%
Weighing system	Water, Cement, Fly-ash, Additive				
Weighing precision	±1%				
Air system	Air compressor, etc				
Dragging chassis	Drag rod & Leading steering, Front/Back axle & shock absorption, Back wheel, Outrigger				
Cement storage and feeding system	Optional parts				
Screw conveyor diameter	Ø219/273mm				
Cement silo capacity	30t/50t/100t		50t/100t		

concrete mixer



batching plants



concrete trucks



trailer pump



gunite machine



**WEB:**www.concretemixerschina.com

**E-mail:**sales4@cndasion.com