



Henan DASION Machinery CO.,Ltd

E-mail:sales4@cndasion.com

Address: 1509,pinganbaoxian,jingsanroad,jinshui street,zhengzhou,china

14-16CBM concrete mixing transport trucks

Keywords: concrete mixing transport trucks,concrete mixer truck parts

14-16CBM concrete mixing transport trucks are a machine for concrete mixing and transporting in accordance with its system and standards, and the article mainly introduce concrete mixer truck parts, specs, features and technical parameters.

14m³,15m³,16m³ concrete mixer truck is large mixing transport trucks used for construction projects, according to DASION design and technology, our concrete mixing transport trucks features have

- ◆ Science large geometric drum volume combined with optimized water lines
- ◆ Protective measurements during trucks traveling
- ◆ Optimizing design and high quality accessories reducing the body weights and improve the payload for concrete transport; weight-optimised truck mixers for a large payload
- ◆ Wear-protection improve the wear-resistance and service life
- ◆ High availability, concrete mixer trucks can be used under rough conditions or construction site
- ◆ Flexibility and maximum utilisation of admissible vehicle gross weights.

14-16CBM concrete mixing transport trucks images



concrete mixer



batching plants



concrete trucks



trailer pump



gunite machine



WEB:www.concretemixerschina.com

E-mail:sales4@cndasion.com



Henan Dasion Machinery CO.,Ltd

E-mail:sales4@cndasion.com

Address:1509,pinganbaoxian,jingsanroad,jinshui street,zhengzhou,china

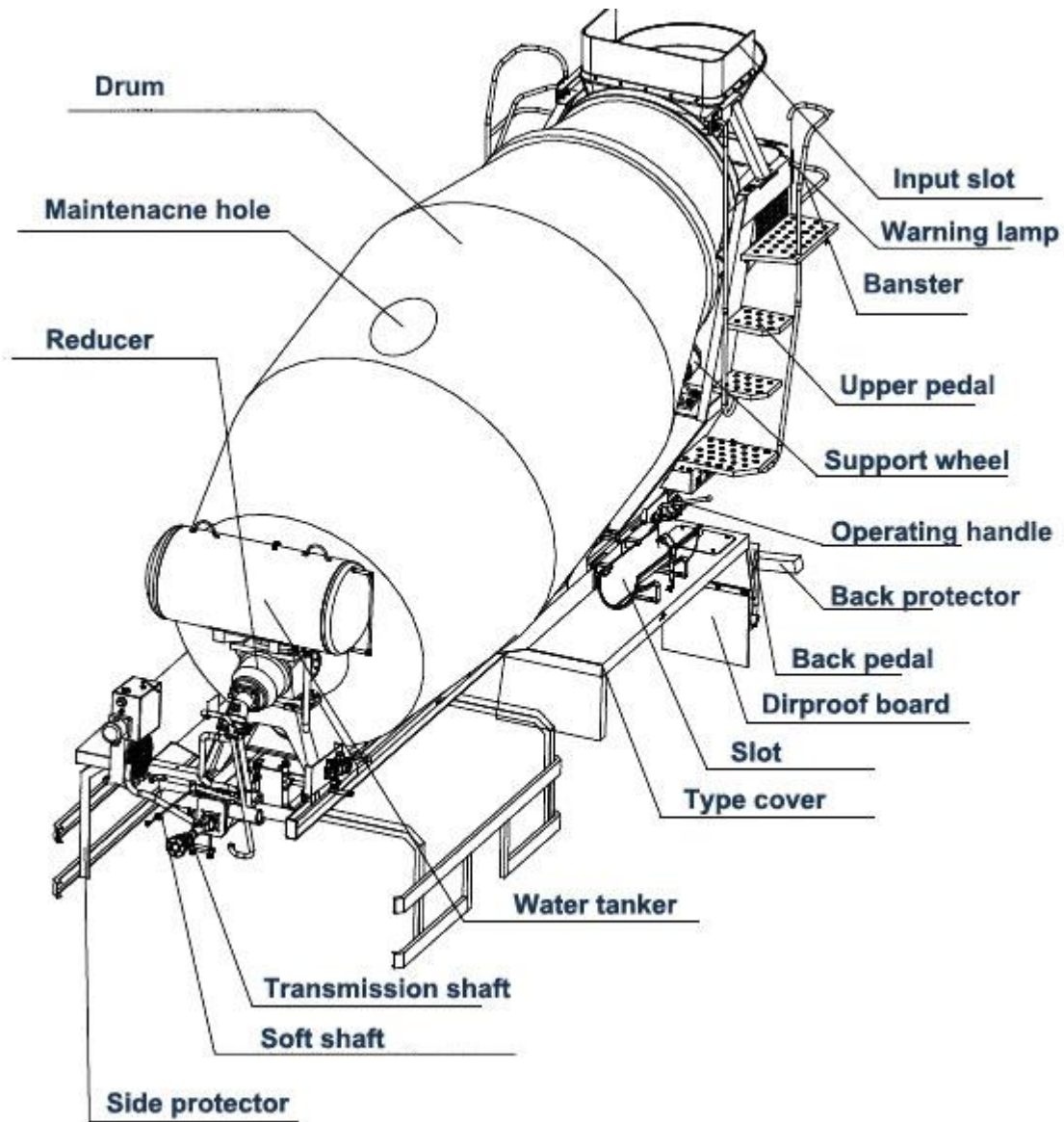
Large concrete mixing transport trucks main benefits

Large discharge payload capacity; optimum driving characteristics for ensuring operator safety

Wear-resistant plates in the main wear zones, protecting mixing spirals,drum reducer etc.

Smooth rear wall surfaces of the discharge trestle,self-cleaning resistance etc.

14-16CBM concrete mixer truck parts



concrete mixer

batching plants

concrete trucks

trailer pump

gunite machine



WEB:www.concretemixerschina.com

E-mail:sales4@cndasion.com



Henan DASION Machinery CO.,Ltd

E-mail:sales4@cndasion.com

Address:1509,pinganbaoxian,jingsanroad,jinshui street,zhengzhou,china

14-16CBM concrete mixer truck main specifications

Model	14m3	15m3	16m3
Overall size (mm)	10730 (L)*2496(W)*3900 (H)	10740 (L)*2500(W)*3990 (H)	11390 (L)*2500(W)*3990 (H)
Tank body dimension(mm)	6724x φ 2450	6724xφ2450	7324xφ2450
Mixing volume(m ³)	14	15	16
Feeding speed (m ³ /min)	≥3	≥3	≥3
Unloading speed (m ³ /min)	≥2	≥2	≥2
Discharge residue rate	≤0.5%	≤0.5%	≤0.5%
High pressure oil pump	PV090MHR\20DBC13N, Italy	American Sauer T90PV100	ABK pump,Italy
Hydraulic motor	MF090V\20CBN113535, Italy	American Sauer T90MF100	ABK motor,Italy
Reducer	PMB8sp, Italy	PMB7.8sp, Italy	PMB8sp, Italy
Water supply system	Water supply by air pressure (450L water tank), homemade sprinkler		
Chassis (4*2)			
Model	ZZ1317N3667C1	ZZ1317N3268W	ZZ1317N3667C1
Wheel base (mm)	1800+3600+1350	1800+3200+1350	1800+3600+1350
Tread f/r (mm)	2041/1830	2022,2041/1830	2022,2041/1830
Max. Speed (km/h)	85	86	90
Steering system	Imported ZF8098 hydraulic power steering		
Transmission	Manual	Manual	Manual
Brake system	Dual circuit air-pressure braking system		
Engine (Euro-IV)			
Model	WD615.96E	WD615.96E	WD615.96E
Max. Power (hp)	375	375	375
Engine type	L6,Water-cooled, direct injection, supercharged inter-cooling diesel engine		L6, Water-cooled, 4-strokes supercharged inter-cooling diesel engine
Fuel type	Diesel oil	Diesel oil	Diesel oil

concrete mixer



batching plants



concrete trucks



trailer pump



gunite machine



WEB:www.concretemixerschina.com

E-mail:sales4@cndasion.com