



**Henan DASION Machinery CO.,Ltd**

**E-mail:**sales4@cndasion.com

**Address:**1509,pinganbaoxian,jingsanroad,jinshui street,zhengzhou,china

## **JN planetary concrete mixers**

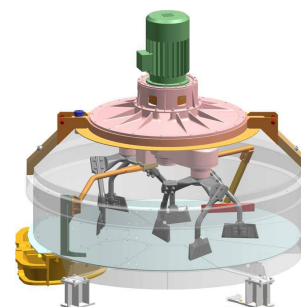
**Keywords:**planetary concrete mixers,vertical shaft mixer

JN planetary concrete mixers is vertical shaft mixer designed planetary form and used for precast concrete elements, prestressed concrete, Paving blocks and kerbstones, brick, dry concrete products, shotcrete, refractory products etc.

### **JN planetary concrete mixer spare parts**

- ◆ Mixing tank is designed in pan form and designed in different grade sizes, such as 250L, 3000L
- ◆ Liners can be divided into abrasion resistant steel floor liners and wall liners, and all them can be replaceable, bolted segment
- ◆ Wall scrapers, mixing blades and paddles include formed steel arms with protection wear
- ◆ Lubrication system adopts automatic series working with computer, and electrically operated
- ◆ Mixer cover is normally made of formed steel or high strength stainless steel or steel
- ◆ Designed with four doors: hinged access doors, hinged inspection door, gasketed door and 'doors closed' interlock switches
- ◆ Hydraulic clutch is easy damage from shock loads, and it allows repeated starting with a full load.
- ◆ Less down time, improve yield
- ◆ Compared portable concrete mixers, the special design mixing pan for this vertical shaft mixer means that a full load can be mixed thoroughly in the minimum time
- ◆ Discharge doors and scooped paddles are sealing
- ◆ Designed with three mixing stars
- ◆ Washout system designed in pivot stand top with 360° rotation
- ◆ planetary multiplicator gear box

### **JN vertical shaft mixer images**



**concrete mixer**



**batching plants**



**concrete trucks**



**trailer pump**



**gunite machine**



**WEB:**[www.concretemixerschina.com](http://www.concretemixerschina.com)

**E-mail:**sales4@cndasion.com



**Henan Dasion Machinery CO.,Ltd**

**E-mail:**sales4@cndasion.com

**Address:**1509,pinganbaoxian,jingsanroad,jinshui street,zhengzhou,china

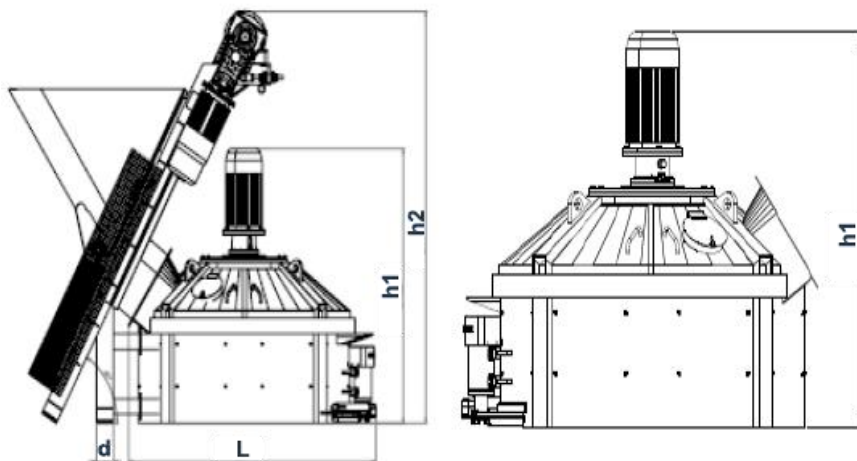
### JN planetary concrete mixers application

- ◆ Concrete: precast concrete elements and ready-mixed concrete, prestressed concrete, Self-compacting concrete type, earth-moist concrete, dry concrete products
- ◆ Concrete productions: Paving blocks and kerbstones, hollow blocks and platers, and pipes and manholes, pavers, shotcrete, refractory products.
- ◆ Cementitious product blending etc.

### Compared reversible concrete mixer, the advantages of planetary concrete mixers have

1. High degree of reliability, mixing performance, minimum maintenance
2. Automatic lubrication of the main bearings
3. Horizontal arranged gearbox combines speed reduction and planetary action, enough to mix
4. Upto Three blades each rotate at high speed, vigorous mixing action covers the whole mixer many times each minute, coating of aggregate particles evenly with cement, reduce the resource waste
5. Mixing stars and arms are fabricated from tough wear-resistant steel, high mechanical strength and reducing chance of breakage, mixing action gives fast and complete mixing with no dead zones
6. Standard liner is wear-resistant steel for floor plants and wall
7. High mixing speed, high mixing efficiency, large yield in short time
8. The wide access covers and lower sidewalls make cleanout and maintenance safe and easy.

### JN vertical shaft mixer drawings



As a leading concrete mixer manufacturer, Dasion provides high performance and high quality concrete equipment and construction equipment, such as concrete mixer, concrete vibrators.

concrete mixer



batching plants



concrete trucks



trailer pump



gunite machine



**WEB:**www.concretemixerschina.com

**E-mail:**sales4@cndasion.com



**Henan Dasion Machinery CO.,Ltd**

E-mail:sales4@cndasion.com

Address:1509,pinganbaoxian,jingsanroad,jinshui street,zhengzhou,china

### JN planetary concrete mixers main technical specifications

Item	Model								
	JN250	JN330	JN500	JN750	JN1000	JN1500	JN2000	JN2500	JN3000
Discharging Volume (L)	250	330	500	750	1000	1500	2000	2500	3000
Charging Volume (L)	375	500	750	1125	1500	2250	3000	3750	4500
Charging Weight (KG)	600	800	1200	1800	2400	3600	4800	6000	7200
Diameter of Mixing Drum (mm)	1350	1540	1900	2196	2496	2796	3100	3400	3400
Mixing Power (KW)	11	15	18.5	30	37	55	75	90	110
Discharging Power (KW)	2.2	2.2	2.2	2.2	3	3	4	4	4
Weight (KG)	1200	1700	2000	3500	6000	7000	8500	10500	11000
Dimension (LxWxH) mm	1780x1400x1690	1910x1590x1747	2270x1955x1832	2520x280x2150	2858x590x2370	3250x916x2530	3424x217x2790	3690x528x2790	3690x528x3070
Lifting Power (KW)	3.5	4	4	7.5	11	15	18.5	/	/
Bucket Capacity (L)	450	580	870	1300	1740	2610	3480	/	/
Bucket Capacity (KG)	680	870	1305	1950	2610	3915	5220	/	/
Lifting Speed (m/s)	0.25	0.25	0.25	0.25	0.25	0.25	0.25	/	/

concrete mixer



batching plants



concrete trucks



trailer pump



gunite machine



WEB:www.concretemixerschina.com

E-mail:sales4@cndasion.com